

An introduction to your new “AHT”

Steel Tailgate Loader

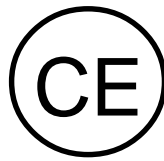
for Serial No: _____

Operator’s Manual

Models covered by this manual are:

Steel/Steel

LA-700ST/ST
LA-1200ST/ST
LA-1700ST/ST
LA-2200ST/ST
LA-3300ST/ST
LA-5000ST/ST
LA-6600ST/ST



Steel/Aluminum

LA-700ST/AL
LA-1200ST/AL
LA-1700ST/AL
LA-2200ST/AL
LA-3300ST/AL
LA-5000ST/AL
LA-6600ST/AL

Thank you for purchasing the “AHT” steel tailgate loader. It is the finest tailgate loader in the world and will give you many years of good reliable service if you will do just a little preventive maintenance and do it on a regular basis.

This instruction booklet will provide all the information you need for operating and maintaining your new “AHT” tailgate loader.

Please be sure to keep a copy of this manual in the vehicle, so that it will be available when needed for servicing your unit.

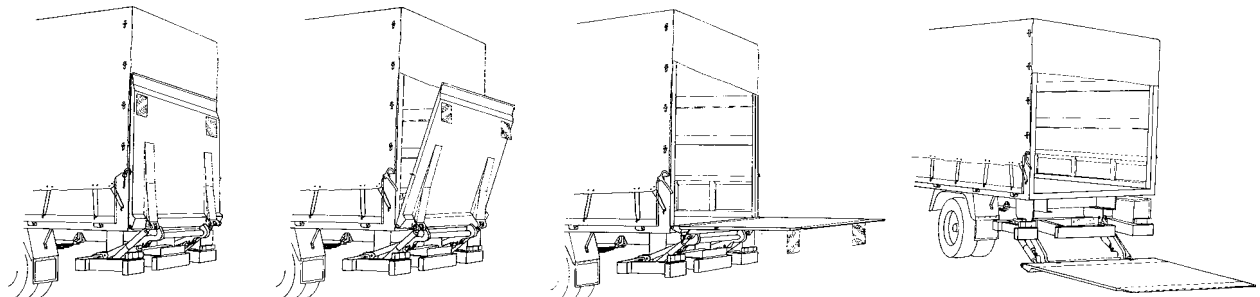
The “AHT” tailgate loader was engineered, and built, to give you long life with very few problems.

Generally, your “AHT” requires only periodic maintenance, but if there is a problem, this booklet will be invaluable for servicing the unit.

If for any reason, there is a problem, and you have difficulty getting the problem solved, please call the factory and we will be happy to help you find some local help.

Most companies, that service other types of liftgates can also do any repair work necessary on the “AHT”.

CAUTION: When steam cleaning the AHT it is very important to be careful around the electrical control box. **DO NOT** point the steam directly on the control box as the electrical connections could be damaged. It is also very important to lubricate the entire unit, after washing, as the grease will have been washed away.



HOW TO USE THE “AHT” TAILGATE LOADER

IT IS NOT PERMITTED TO USE THE “AHT” AS:

- A personal lift or elevator Only the operator is permitted to ride up and ride down with the load.
- As an extension of another body. Do not use to load or unload another vehicle.
- As a car jack. It is very unsafe to lift another vehicle with the “AHT”
- As a snow plow. Heavy damage could be done to your new “AHT”

It is not permitted to overload the platform to a point where the operator does not have enough room to operate the tailgate safely.

USER QUALIFICATIONS TO OPERATE THE “AHT” TAILGATE LOADER

The driver and/or operator should be well trained in the proper procedure for operating the “AHT” before using the tailgate loader.

Carefully read the manual **before starting to operate** the “AHT” tailgate loader.

Only mature adults, age 18 and above, should operate the “AHT” tailgate loader.

The operator should not be physically handicapped. (Bad eyesight or hearing)

The operator should not be overly tired.

The operator should never be under the influence of alcohol or drugs while operating the “AHT”.

The load **must be** stabilized on the platform to avoid damage .

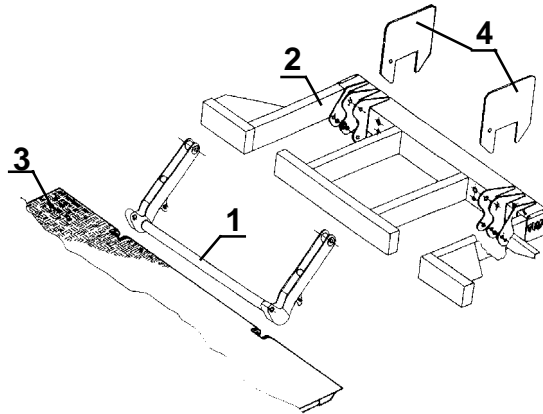
The operator must never load or unload more than the maximum capacity of the “AHT” tailgate loader. **Read the data plate for actual capacity of this AHT.**

Always perform the daily check before using the AHT tailgate loader.

TECHNICAL DESCRIPTION OF THE “AHT” TAILGATE LOADER STEEL/STEEL

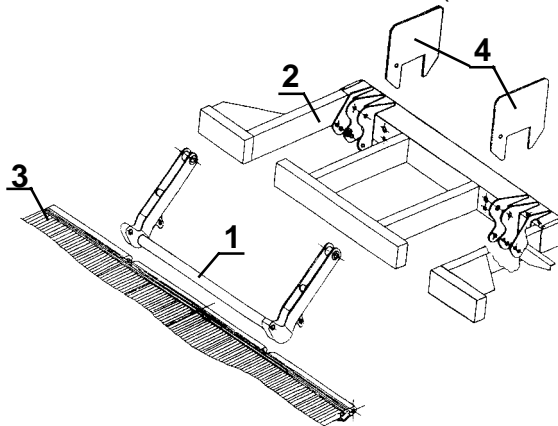
The Steel/Steel “AHT” Tailgate Loader has the following components:

- 1) One Lift arm: Made from ST37 material. (Welded construction)
- 2) One Main frame: Made from ST37 material. (Welded construction)
- 3) One Platform: Made from ST37 material. (Welded construction)
- 4) Two mounting brackets: Made from ST37 material (Welded construction).



The Steel/Aluminum “AHT” Tailgate Loader has the following components:

- 1) One Lift arm: Made from ST37 material. (Welded construction)
- 2) One Main frame: Made from ST37 material. (Welded construction)
- 3) One Platform: Made from High Strength Aluminum Profiles.
- 4) Two mounting brackets: Made from ST37 material (Welded construction).



The main frame (2) is mounted to the vehicle chassis with the mounting brackets (4).

For lifting the platform and load, we use two single-acting steel lift cylinders. We also use two single-acting steel tilt cylinders, with integrated springs, for opening and closing the platform. All four cylinders have ceramic-coated, salt and chemical resistant, piston rods for ultra long life span.

Each of the four steel cylinders is equipped with a mechanical hose burst valve, for safety. In case of hydraulic hose failure, the platform cannot fall to the ground, nor can it tilt down. The failure can be repaired and the “AHT” can go back to work.

Note: If electronic hose burst valves are installed and you press the DOWN button or the OPEN button, the platform will come down.

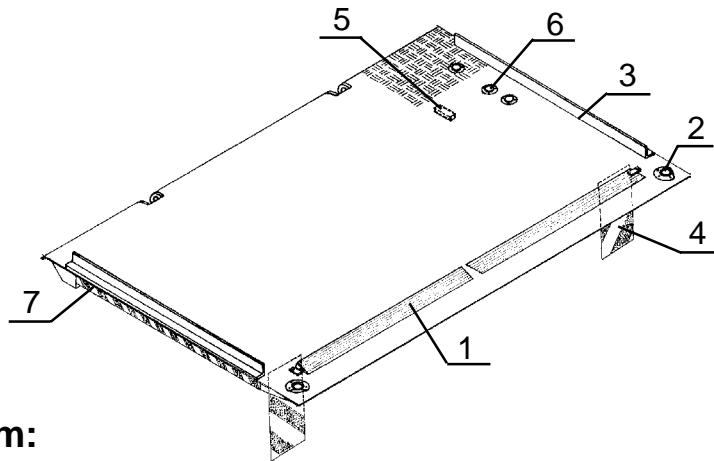
TECHNICAL DESCRIPTION

Steel Platform:

The platform is made of ST37 material, and is engineered to properly maintain the load and keep it stabilized for your safety.

Special options available for the “AHT” steel platform include:

- 1) Spring Loaded Roll Stops
- 2) Flashing Lights for safety when the “AHT” is in use.
- 3) Safety rails to keep the load from going off the side of the platform.
- 4) Safety Flags, so the platform can be seen, from the rear, while in operation.
- 5) Platform position switch. A warning lamp is installed inside the cab.
(When the light is on, the platform is open.)
- 6) Three (3) button foot control. (Required in EU countries)
- 7) Safety warning strips for the edge of platform

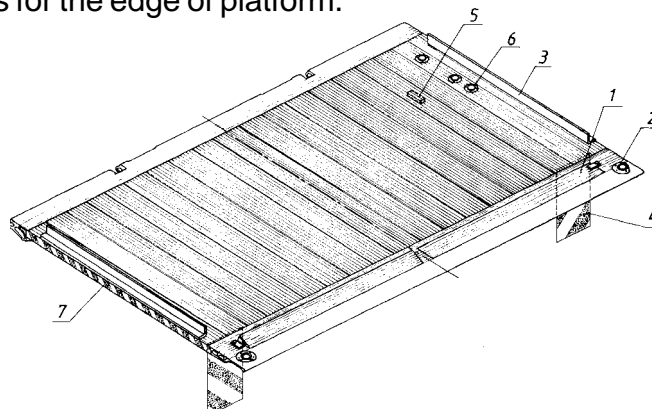


Aluminum Platform:

The platform is produced from **all-aluminum high strength profiles** and is engineered to properly maintain the load and keep it stabilized for your safety.

Safety options available for the all-aluminum “AHT” platform include:

- 1) Spring Loaded Roll Stops
- 2) Flashing lights, for safety, when the “AHT” is being used.
- 3) Safety rails to keep the load from falling off the side of the platform.
- 4) Safety flags so the platform can be seen, from the rear, while in operation.
- 5) Platform position switch. A warning lamp is installed inside the cab.
(When the light is on, the platform is open.)
- 6) Three (3) button foot control. (Required in EU countries)
- 7) Safety warning strips for the edge of platform.



TECHNICAL DESCRIPTION FOR THE MHW POWER PACK

Without Automatic Leveling or SLS

The MHW Power Pack:

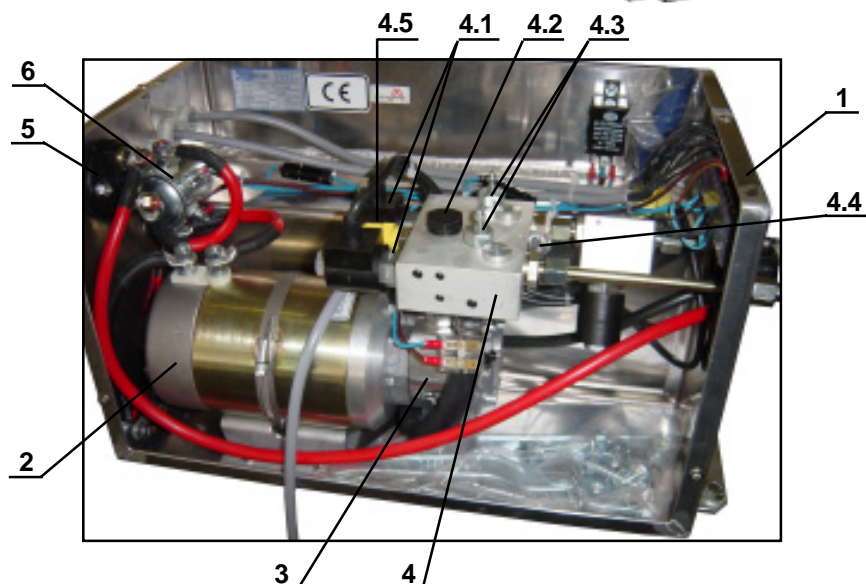
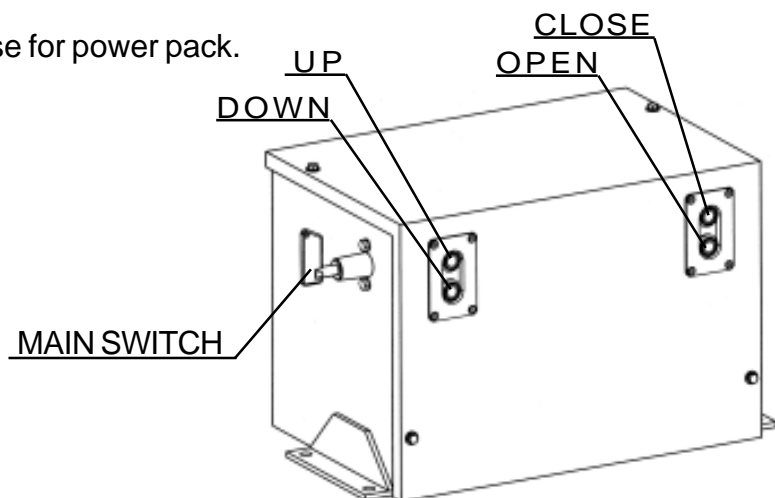
The power pack enclosure, including the built-in oil reservoir, is made of aluminum and is insulated to achieve a very quiet operation. The **noise level** of the power pack is **less than <70dB** (MSV§74).

The power pack is usually located on the curbside of the vehicle and mounted on the bumper bar. The adjustment for the working pressure and lowering speed can only be done inside the power pack enclosure. The control buttons are located on the outside of the power pack cover.

CAUTION: Never bottom out the relief valve fully. The power pack and/or the hydraulic system could be damaged. When the “AHT” is steam cleaned, it is very important to be careful around the electrical controls. **Do not point the steam directly at the power pack housing, as the electrical connections are delicate and could be damaged.**

The MHW power pack contains the following components:

- 1) Waterproof/Soundproof case for power pack.
- 2) Motor
- 3) Pump
- 4) Valve Block
 - 4.1) 2/2-Way valve w/solenoid
 - 4.2) Shuttle Valve
 - 4.3) Flow Control Valve
 - 4.4) Relief Valve
 - 4.5) Test Point plug
- 5) Battery main switch
- 6) Starter Switch



TECHNICAL DESCRIPTION POWER PACK ASSEMBLY

Adjustable flow control valve:

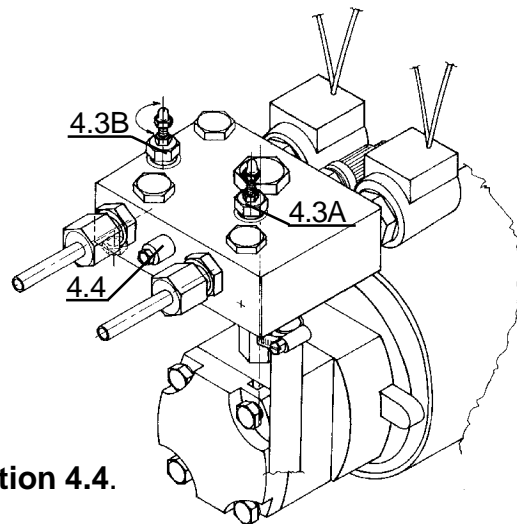
The Lift and Closing speed is not adjustable.

The lowering speed is adjusted by position 4.3A

The opening speed is adjusted by position 4.3B

How to adjust the flow control valves:

- Be sure the adjustable flow control valves are not closed. To regulate the lowering speed, first loosen the M4 (5/16") nut and adjust it carefully until the correct lowering speed is attained. When the speed is correct, hold the screw in one hand and lock the nut with the other.
- The **lowering speed** should be as follows:
Maximum lowering speed should be 6" (150mm) per second. (Maximum lowering speed is 40" in 7 seconds). (1 m in 7 seconds)
- The **opening speed** should be as follows:
Maximum opening speed should be 6 degrees per second. (Maximum opening speed is 15 seconds for 90 degrees).



Adjustable relief valve:

The hydraulic pressure is adjusted by position 4.4.

How to adjust the relief valve:

The relief valve is sealed, with a wire tie, from the factory and **must not** be removed unless authorized by the factory. **Warranty is void if seal is broken.**

- The hydraulic pressure is adjusted, at the relief valve (4.4), inside the power pack cover.
- Adjustable from (50-250 Bar) or (700-3600 PSI)
- Adjustment of the relief valve:
 - a) To adjust pressure, a calibrated pressure gauge **is required** and it should be connected at the test point. (4.5)
 - b) Remove the seal and cover from the adjusting nut.
 - c) Turn the adjusting screw with a hex wrench, clockwise (for higher pressure) or counter-clockwise (for lower pressure) being sure to keep an eye on the pressure gauge. The maximum pressure should be 220 Bar (3150 PSI).
 - d) When pressure is correct, lock the cap screw and check the pressure again to be sure it has not changed. Seal the cover.

Caution: Never bottom the relief valve. The power pack and/or hydraulic system could be damaged.

Adjusting the Safety Loading System: Power Pack with Safety Loading System „SLS“.

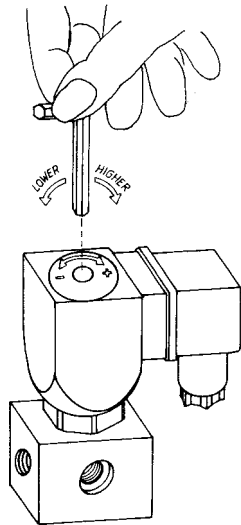
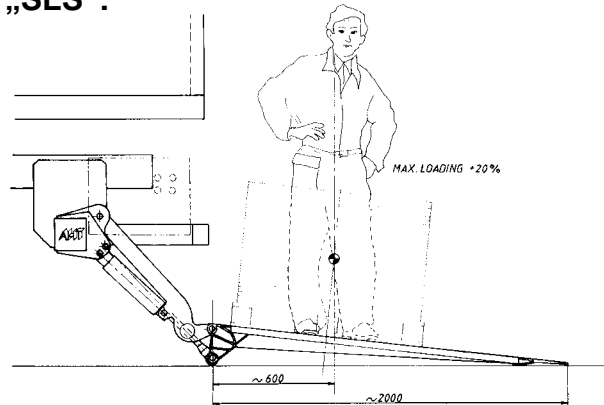
The Safety Loading System „SLS“ consists of:

- Pressure Switch
- Pressure Gauge with memory hand
- Counter
- Buzzer

The pressure gauge and the counter is installed in a box which is sealed at the factory.

How to adjust the Safety Loading System „SLS“:

- Turn on the Main Switch
- Open the platform and lower to the ground
- Lower the platform tip to the ground
- Load the platform with the maximum rated load +20% and one person. Be sure to place the load in the center of platform and at 600mm from the vehicle. (Check the vehicle data plate)



When the platform is loaded and on the ground.

Press the CLOSE button - the buzzer should sound off and the motor should stop.

Continue to press the CLOSE button, while adjusting the pressure switch, until the platform comes to the horizontal position. Adjust the pressure switch with a hex wrench (2.5mm) until the buzzer stops.

If you press the CLOSE button and the buzzer does not sound off or the platform does not raise to horizontal, the relief valve (4.4), is set too low.

How to adjust the relief valve (4.4).

- Remove the seal and cover from the adjusting nut.
- Turn the adjusting screw with the hex wrench, **clockwise**, (for higher pressure) and **counter-clockwise** (for lower pressure). Be sure to keep your eye on the pressure gauge.
- The maximum pressure should be 220 Bar (3150 PSI).
- When the pressure is correct, lock the cap screw and check the pressure again to be sure it has not changed. Seal the cover.

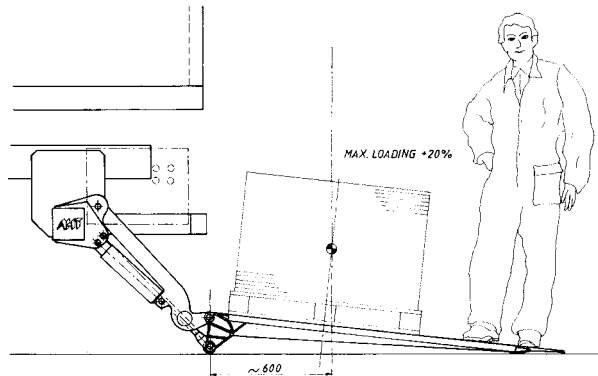
CAUTION: Never bottom the relief valve. The power pack and/or hydraulic system could be damaged.

Press the UP button. If the platform does not raise, the relief valve is still set too low. Readjust the relief valve as described above.

Adjusting the Safety Loading System: Power Pack with Safety Loading System „SLS“.

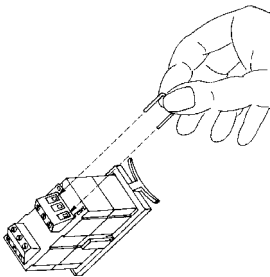
Checking for overload:

With the platform on the ground, fully loaded, and a person standing on the tip, press the CLOSE button, the buzzer should sound off and the motor should stop.



This would mean the SLS is adjusted correctly.

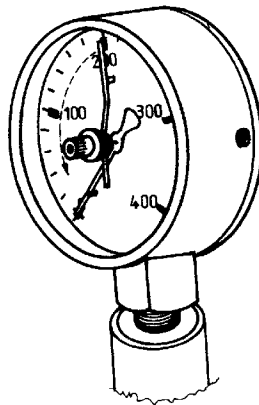
If the **buzzer does not sound off** and/or if the **motor does not stop**, the adjustable screw of the pressure switch must be turned **counter-clockwise** until the motor stops and the buzzer does sound off.



How to zero the counter: (Only when authorized by the factory)

Remove the cover from the SLS box and, with a short jumper, make contact with two connectors as shown below.

Zero the memory on the pressure gauge:



Close the SLS box and seal it with a wire tie.

Seal the cover cap of the relief valve.

CAUTION: The „O“ Ring can be damaged if the cap is tightened too much.
Turn off the main switch.

The Safety Loading System can be affected by the sun, when the platform is closed, and the main switch is turned on. If this happens and the buzzer sounds off, you must **press the OPEN button momentarily**.

IMPORTANT: If the main switch is in the off position, the buzzer will not sound off.

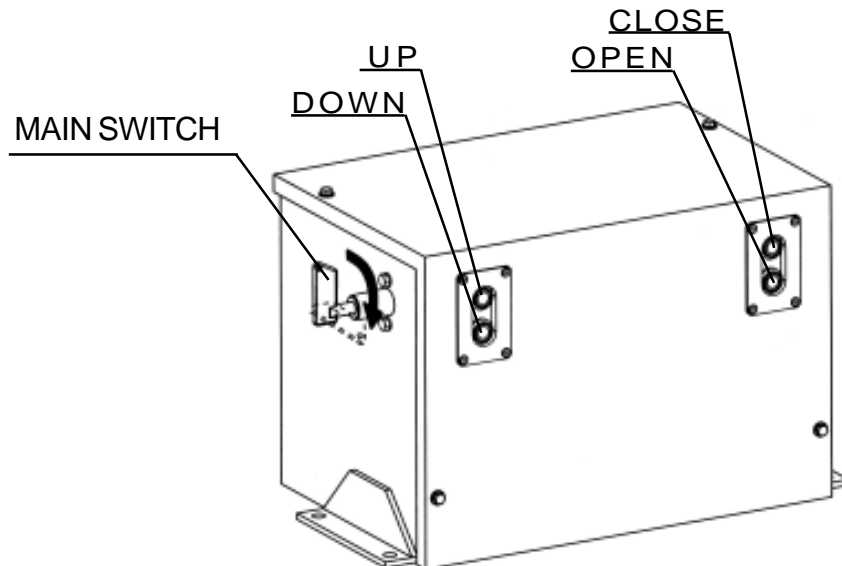
OPERATING INSTRUCTIONS FOR THE “AHT”

CAUTION:

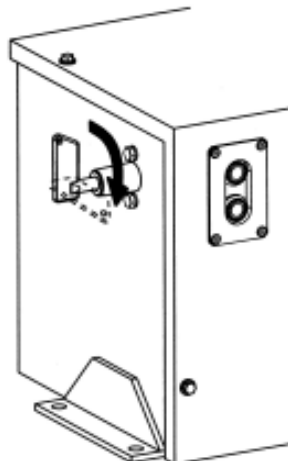
Be sure there is enough room for the operator to safely operate the “AHT”.

CAUTION:

- Be sure platform is unlocked. If it is difficult to open the platform lock, press the **UP** button and then press the **CLOSE** button. This will allow the platform lock to disengage.
- Normally, the power pack is mounted on the curbside of the vehicle, on the bumper bar.
- All of the control buttons are located on the power pack cover.
- A second button, for two-hand control, is required in all European countries. This button must be energized to operate the taillift. It is located to the right, and on the lower right corner, of the power pack cover.
- A master switch can be placed in the cab to switch off the current to the control buttons.



- 1) Insert the **RED KEY** into the main switch and turn it clock-wise. This switch could be located in the cab of the vehicle. (In some cases, all of the controls could be located in a water-resistant box, attached to the power pack cover. If so, you must unlock the cover and open it to reveal the controls. Then insert the RED KEY into the switch and turn clockwise.)



- 2) Unlock the platform lock.

3) OPENING THE PLATFORM:

Press the OPEN button to open the platform to the horizontal position.

CAUTION: From the closed position, **always OPEN the platform first.**

(Lowering the platform before opening will damage both tilt cylinders.)

Always be sure the area behind the vehicle is clean and safe. and be sure no one is standing in or near the platform working area.

NOTE: Tip of platform should be 2° above level to compensate for the load.

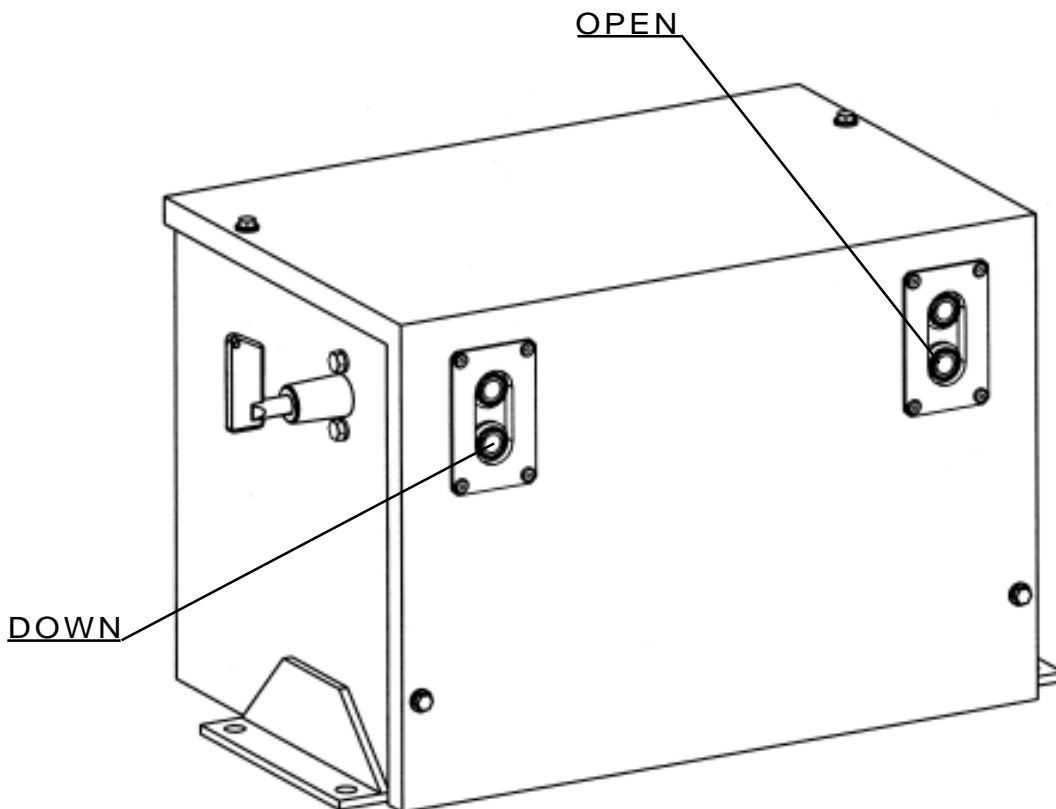
The platform will maintain this level all the way to the ground.

If you want to change the position of the tip, you must press the OPEN button (to lower) or the CLOSE button (to raise).

If you want to change the opening speed of the platform, you must readjust the flow control valve located in the power pack.

(Ask your supervisor for the correct instructions).

Maximum opening speed, to 90°, is 15 seconds, or (6° per second).



4) LOWERING THE PLATFORM:

Press the “DOWN” button to lower the platform

CAUTION: Always consult the data plate, to be sure you are not overloading the platform.

Always consider the weight of the pallet jack, pallet and the person. Load must always be centered on the platform and as close to the truck as possible.

If you want to change the lowering speed of the platform, you must readjust the flow control valve located in the power pack.

(Ask your supervisor for the correct instructions).

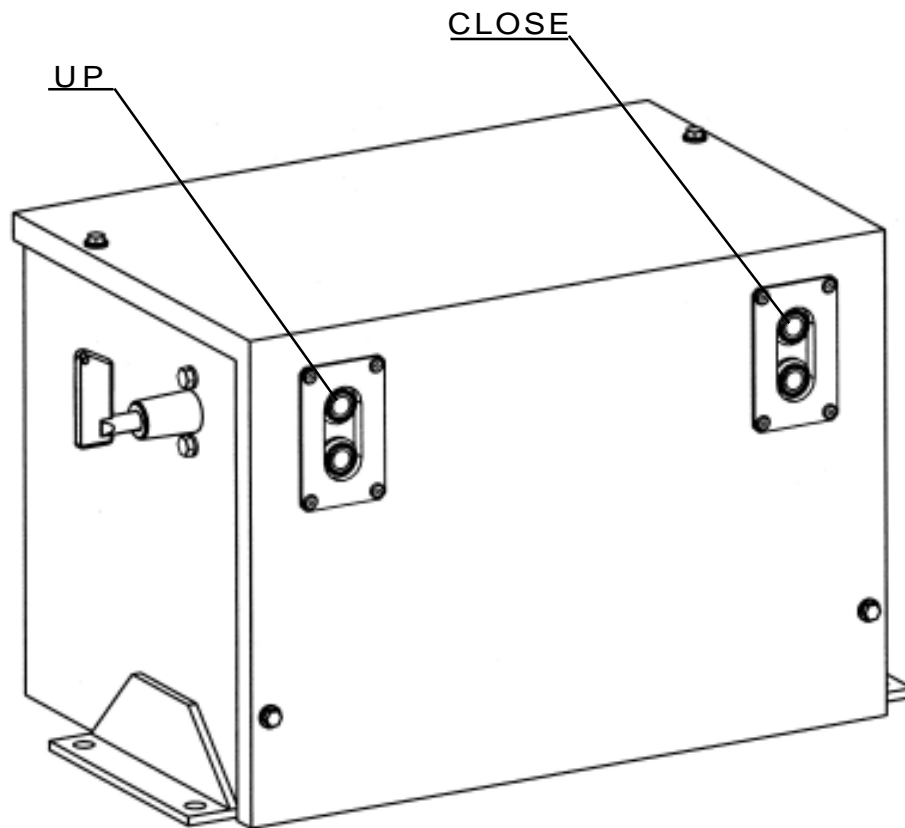
Maximum lowering speed is 6” per second.

5) LIFTING:

Press the UP button to raise the platform.

CAUTION: Always consult the data plate, to be sure you are not overloading the platform. Always consider the weight of the pallet jack, pallet and the person. Load must always be centered on the platform and as close to the truck as possible.

DO NOT STAND ON TIP OF PLATFORM WHILE OPERATING.



6) CLOSING:

Press the CLOSE button, to close the platform.

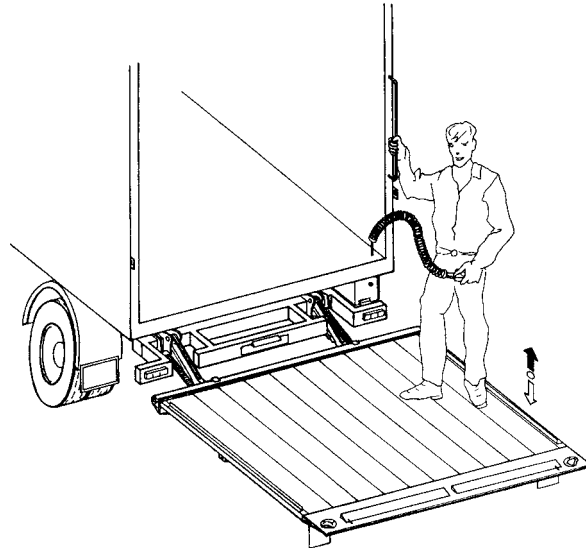
VERY IMPORTANT: Always raise the platform to floor level before closing. Lock the platform for safe transporting of the "AHT".

CAUTION: Before the truck will be moved be aware, that goods are secured and fork truck and trolleys are protected against movement. When the platform has been closed secure it with twist lock to truck frame.

Turn the RED KEY, counterclockwise, and remove it from the switch. This removes all electrical current from the "AHT". Place the key in a safe place for later use.

Using the 2-Button Remote Control (With Automatic Leveling):

This remote control is usually mounted on the inside of the van body and is connected to the power pack, by a flexible cable, When using this 2-button remote control, the operator can ride the platform with the load, but it is only possible to raise and lower the platform.



CAUTION:

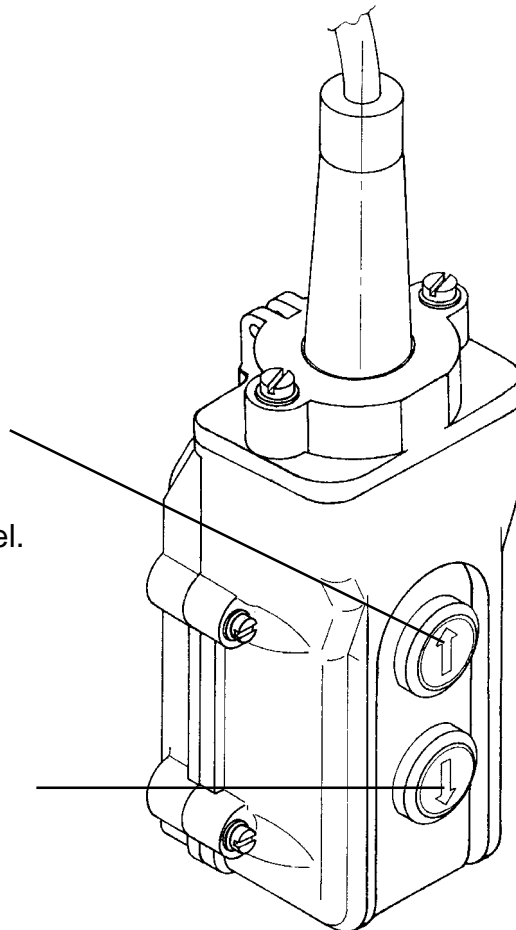
This 2-button remote control should be stored out of the way when not in use. The electrical cord is easily damaged.

UP Button:

For lifting the platform at ground level simply press the UP button. The platform will automatically level to the preset level and then raise to your preferred height up to floor level.

DOWN Button:

The platform can be lowered to any desired level or to the ground. When the wear rollers touch the ground **and you continue to hold the DOWN button**, the platform will automatically tilt to ground level for removing the product.



Using the 4-Button Remote Control: (Without Automatic Leveling)

This remote control is usually mounted on the inside of the van body and is connected to the power pack, by a flexible cable,
When using this remote control, the operator can ride the platform with the load, and it is possible to raise, lower, open and close the platform.

CAUTION:

This 4-button remote control should be stored out of the way when not in use.
The electrical cord is easily damaged.

UP Button:

For lifting the platform simply press the UP button.

DOWN Button:

You can lower the platform to any desired level or to ground level

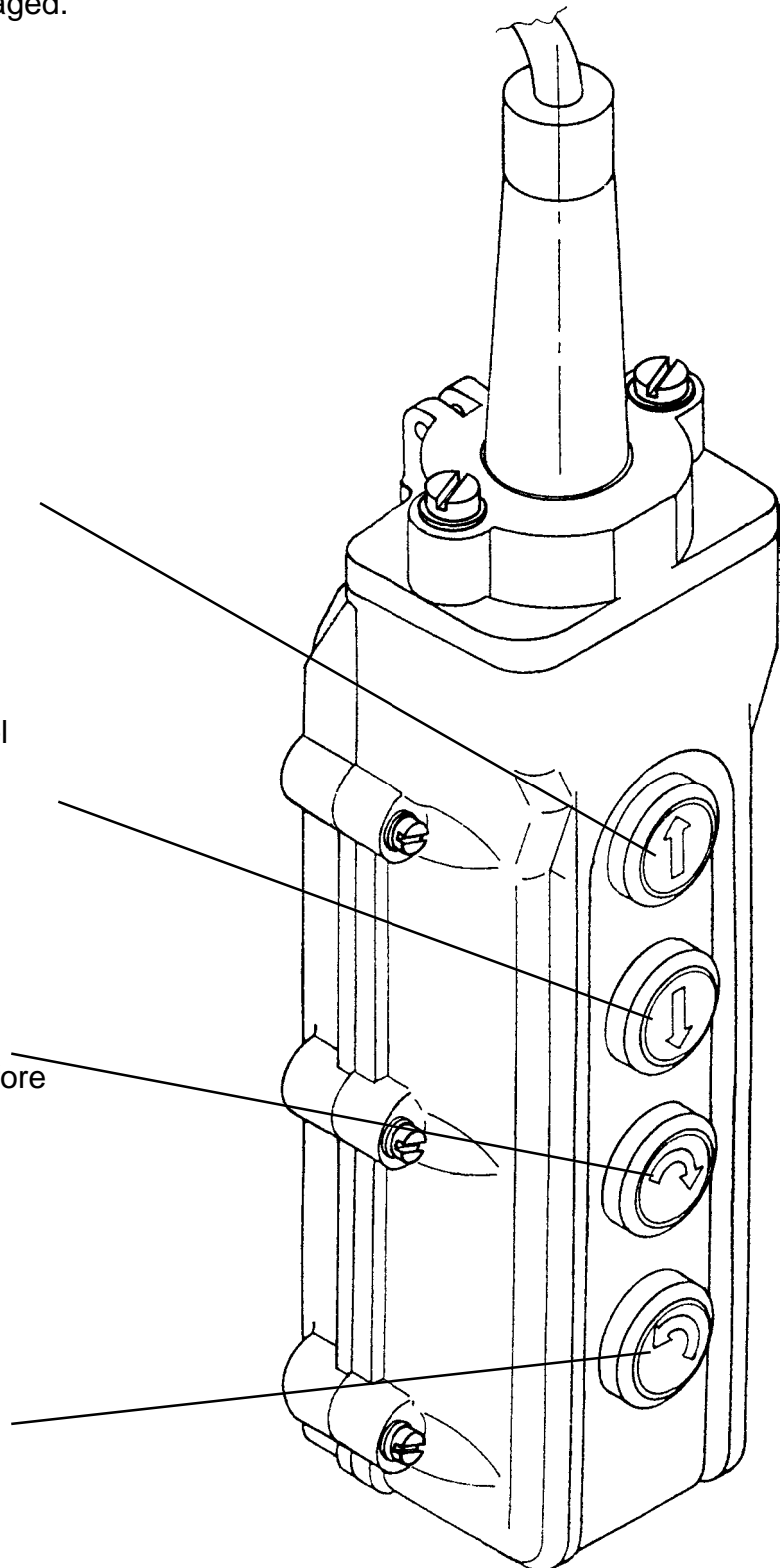
CLOSE Button:

To close the platform, simply press the CLOSE button.

CAUTION: Be sure the platform is **always** at vehicle bed level, before closing platform.

OPEN Button:

For opening the platform, simply press the OPEN button.
The platform will open, come to the horizontal position and you can set the platform angle to your preferred setting.



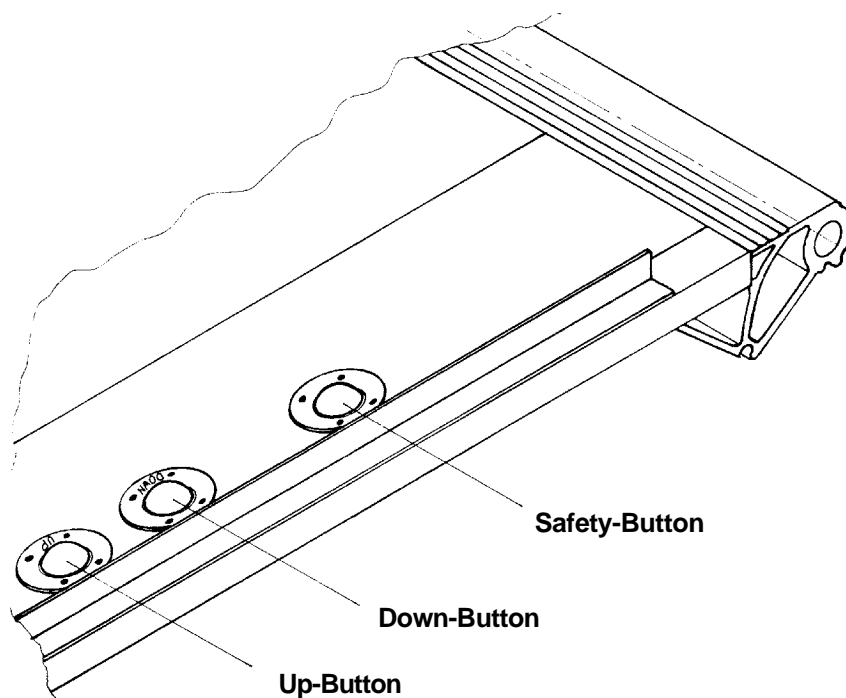
OPERATING INSTRUCTIONS FOR THE “AHT” TAILGATE LOADER

Using the 3-button Foot Control: (With Automatic Leveling)

The 3-button foot control is built into the platform. It is only possible to ride UP and DOWN using the foot controls. At ground level, continue to hold the DOWN button, and the SAFETY button, and the platform will tilt down to unload the product.

CAUTION: Be sure that there is enough room, and a safe place, for the operator to ride UP and DOWN on the platform.

Operator should hold onto a safety device, attached to the van body, for safety.



Safety Button:

The “AHT” tailgate loader will not operate without pushing the safety button.

UP Button:

For lifting the platform, at ground level, push the UP button.

The platform will return to your preset level and then rise to your preferred height, up to vehicle bed level.

DOWN Button:

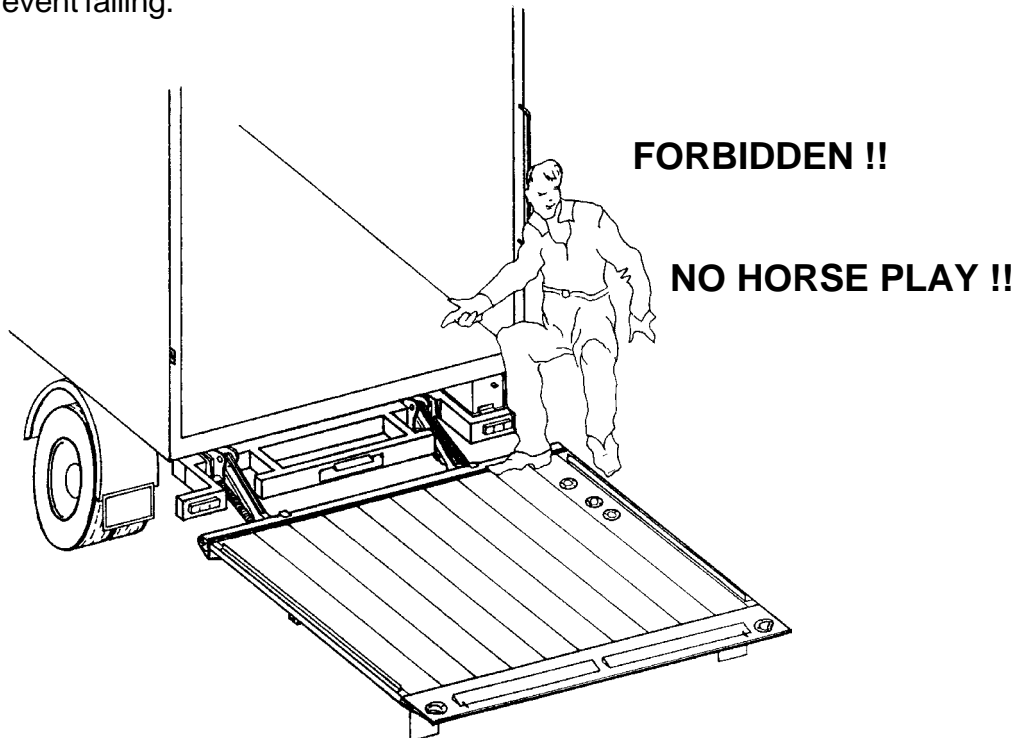
For lowering the platform to ground level, push the DOWN button.

When the wear rollers touch the ground, and you continue to press the DOWN button, the platform will automatically tilt to ground level to remove the product.

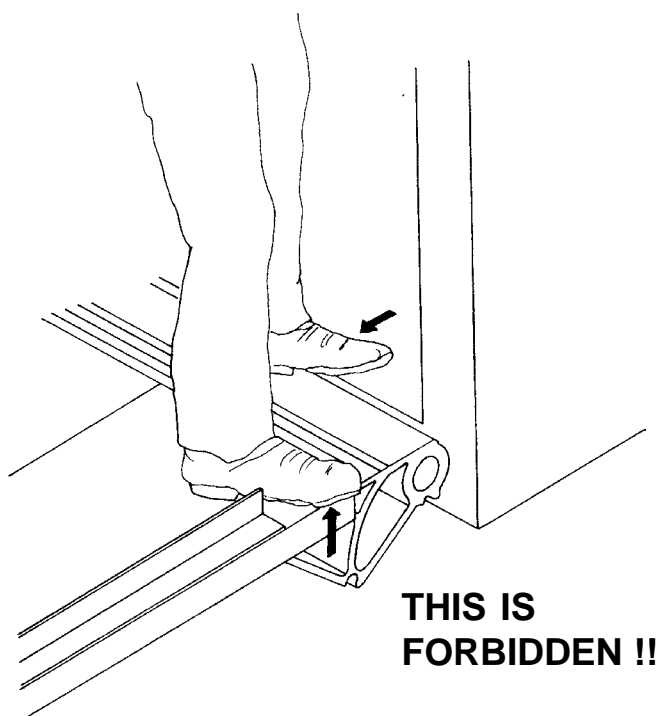
SAFETY INSTRUCTIONS FOR THE "AHT" TAILGATE LOADER

If you ride on the platform, using the 3-button foot control or the 2-button remote control, you should always be very careful to follow these rules:

- 1) Be sure to wear good shoes. No hard or rubber soles.
- 2) Do not horseplay on the platform. **Always be conscience of your safety.**
- 3) Be sure there is enough room for the operator to safely operate the AHT.
- 4) When operating the AHT and riding on the platform, it is important to hold onto the vehicle to prevent falling.

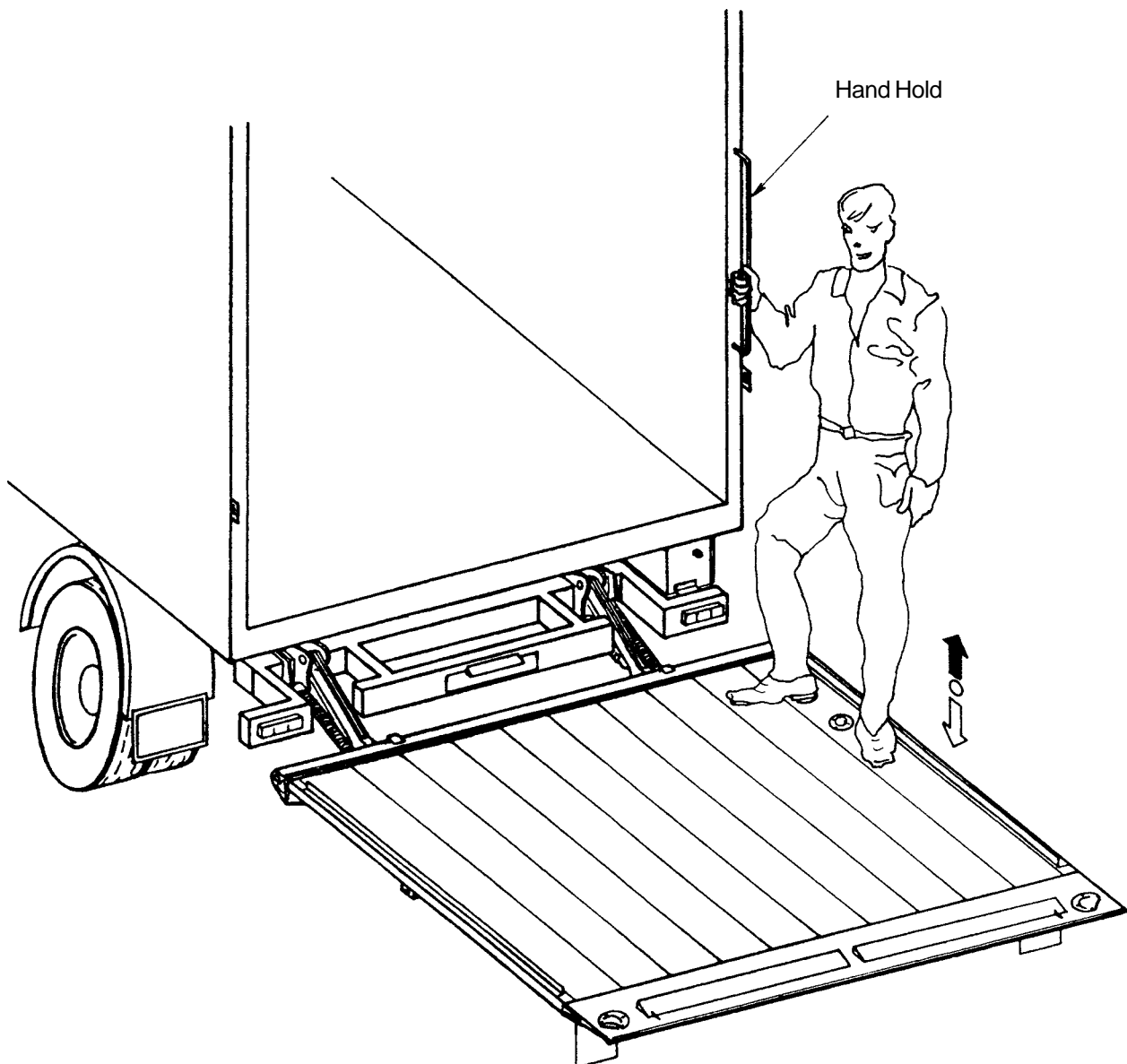


Never place your foot outside of the platform. Your foot could be crushed.



SAFETY INSTRUCTIONS FOR THE "AHT" TAILGATE LOADER

The operator should always hold onto a safety device while riding the platform

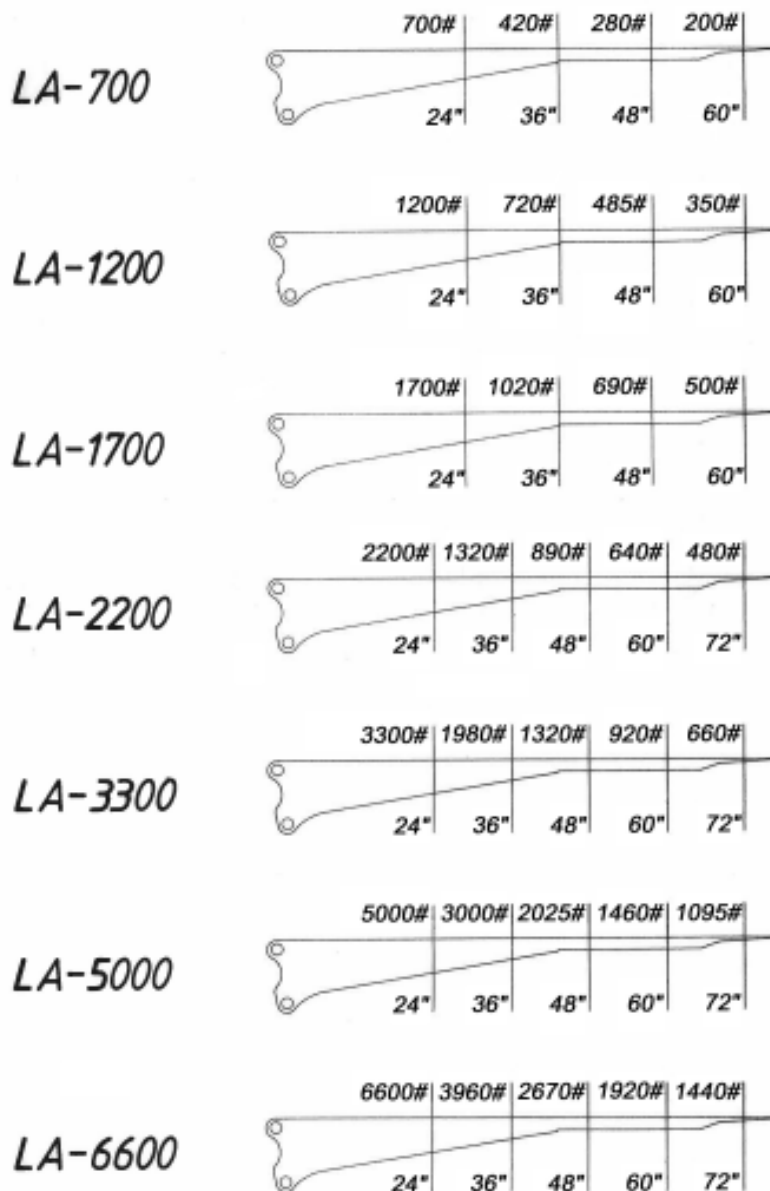


CENTER OF GRAVITY AND LOADING DIAGRAM

- 1) Be sure driver and/or operator are well trained in the proper procedure before using the "AHT" tailgate loader. A good training session will save a lot of heartaches later.
- 2) Please be conscious of the total lifting capacity of the "AHT"

Product	Pounds	Kilogram
One person	180	90
Pallet Jack	170	80
Pallet	65	30
Product	???	???

- 3) Total weight should be equal to the Lifting Capacity of the "AHT" or less.
- 4) Please consult the data plate on your "AHT" tailgate loader, to be sure the maximum capacity is not exceeded.



Do not operate the "AHT" until you have read the operator's manual

ADJUSTING THE MECHANICAL HOSE BURST VALVE (Not needed if electrical hose burst valves are installed)

If the platform stops, **while being lowered**, a mechanical hose burst valve could be defective.

This could happen in the winter time when it is much colder and the hydraulic oil is heavier.

The mechanical hose burst valve can be adjusted to remedy this situation by simply making the "S" measurement larger. (See diagram below)

The mechanical hose burst valves are screwed into the cylinders and connected to the hoses.

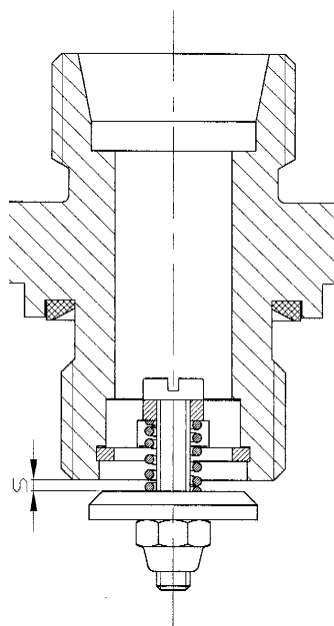
How to make this adjustment:

- **Lift the platform to floor level** and secure it into place with clamps.
- Press the **DOWN** button, so there is no pressure in the cylinders.
- Remove the **PIN** to the lift cylinder.
- Now you can swing the lift cylinder to the floor. (**Be careful, it will come apart**)
- Remove the high-pressure hose, the elbow fitting and the fitting with the mechanical hose burst valve.
- If you make the measurement "S" larger, the problem will be solved.
- The normal factory adjustment is 0.85 mm.
- Hold the hexagon socket head cap screw and turn the locknut M2.5

Counter-clockwise.

NOTE: A half turn = 0.45mm gap enlargement

- Install the fitting with the mechanical hose burst valve, elbow fitting and high-pressure hose.
- Reinstall the lift cylinder and energize the hydraulic system.
- Press the **UP** button until the relief valve is bypassed. (Dead-end the cylinder)
- Remove the clamps from the platform.
- Press the **DOWN** button until you reach the ground. Then press the **UP** button to cycle the system. (This should be done several times to remove all excess air from the cylinders).



GENERAL OPERATING AND MAINTENANCE INSTRUCTIONS

Hydraulic equipment is usually a part of another piece of equipment, such as a truck. To ensure a long and trouble free operation, always read the manufacturers instructions carefully.

Below is a short list of “Do’s” and “Don’ts”

DO’s:

- When mounting the power pack, make sure it is level to the frame and has easy access for filling the reservoir, doing maintenance, etc.
- The satisfactory functioning, long life, reliability and efficiency of hydraulic equipment is greatly affected by the selection of the most suitable type of hydraulic fluid. We highly recommend CASTROL ALPIN 22 or any other good grade of hydraulic oil with 22 viscosity. Castrol Alpin 22 is a biodegradable oil that is good for us, as individuals, as well as for the environment.
- NEVER USE AUTOMATIC TRANSMISSION FLUID
- In case of very low temperature, less than 0°C (+32°F), use oil with a 10 viscosity.
- Fill the reservoir with a good grade of hydraulic oil. Always use a filtered funnel and clean oil.
- The AHT” tailgate loader is the only one in existence to date that will permit the use of a biodegradable oil.

DON’T’s:

- NEVER work on the hydraulic system while it is under pressure.
- NEVER use tape or pipe dope on the hydraulic fittings. They will seal without any outside help.
- **VERY IMPORTANT:** If you wish to paint the equipment or weld on it, always mask off all moving parts, flexible connections and nameplates before doing so.

CAUTION: When the “AHT” is steam cleaned, it is very important to be careful around the electrical control box. DO NOT point the steam directly on the control box as the electrical connections could be damaged.

It is also very important to lubricate the entire unit, after washing, as the grease has been washed away.

SERVICING THE AHT TAILGATE LOADER:

Three types of checks need to be made on a regular basis.

- The daily check
- The monthly check
- The annual check

(Report any defects to your supervisor immediately)

*THE DAILY CHECK:

- Check all bolts and washers for tightness
- Check for leaks, under the vehicle, and in the hydraulic system
- Check the platform lock for operating properly
- Check the switches, UP, DOWN, OPEN & CLOSE for proper operation
- Check the hydraulic oil level, if leaks are apparent
- The platform must be on the ground, and open all the way, to check the proper oil level

*THE MONTHLY CHECK:

- Complete the daily check, plus the following
- Pressure wash the entire unit, being careful not to pressure wash inside power pack
- Check all bolts for looseness and tighten if necessary
- Check all welds for cracks and repair if necessary
- Lubricate all grease fittings (12 fittings)
- Replace any worn or broken parts
- Check the lifting and lowering speed (Be sure it is safe)
- Check the oil level, and add if necessary (Do not overfill)

Procedure for checking oil level:

- 1) Platform must be on the ground and tilted down to properly check reservoir level
- 2) Remove power pack cover and the black filler cap. The dipstick is on the filler cap. Oil level must be kept between the lines on the dipstick at a minimum. (Always leave at least 1" of space in reservoir.)
- 3) Replace the dipstick and power pack cover.

*THE ANNUAL CHECK:

- Complete the daily check
- Complete the monthly check, plus the following
- Check all electrical cables for chafing or breaking, repair if necessary
- Check all hydraulic lines for leaks, cracks or chafing, repair if necessary
- Drain the hydraulic reservoir; clean the filter and the reservoir
- Fill reservoir with a good, clean grade of hydraulic oil, ie: Castrol Alpin 22 (10L)
- Check the lifting capacity (Consult the data plate for correct capacity of this unit)
- Check all safety devices (Flags, Roll stops, Edge Guards, etc.) for proper operation
- Check the wear plates and/or rollers and replace, if necessary
- Check all electrical connections for corrosion and tightness. Repair if necessary

**We recommend CASTROL ALPIN 22 hydraulic oil which is a biodegradable oil that is good for us and good for the environment.

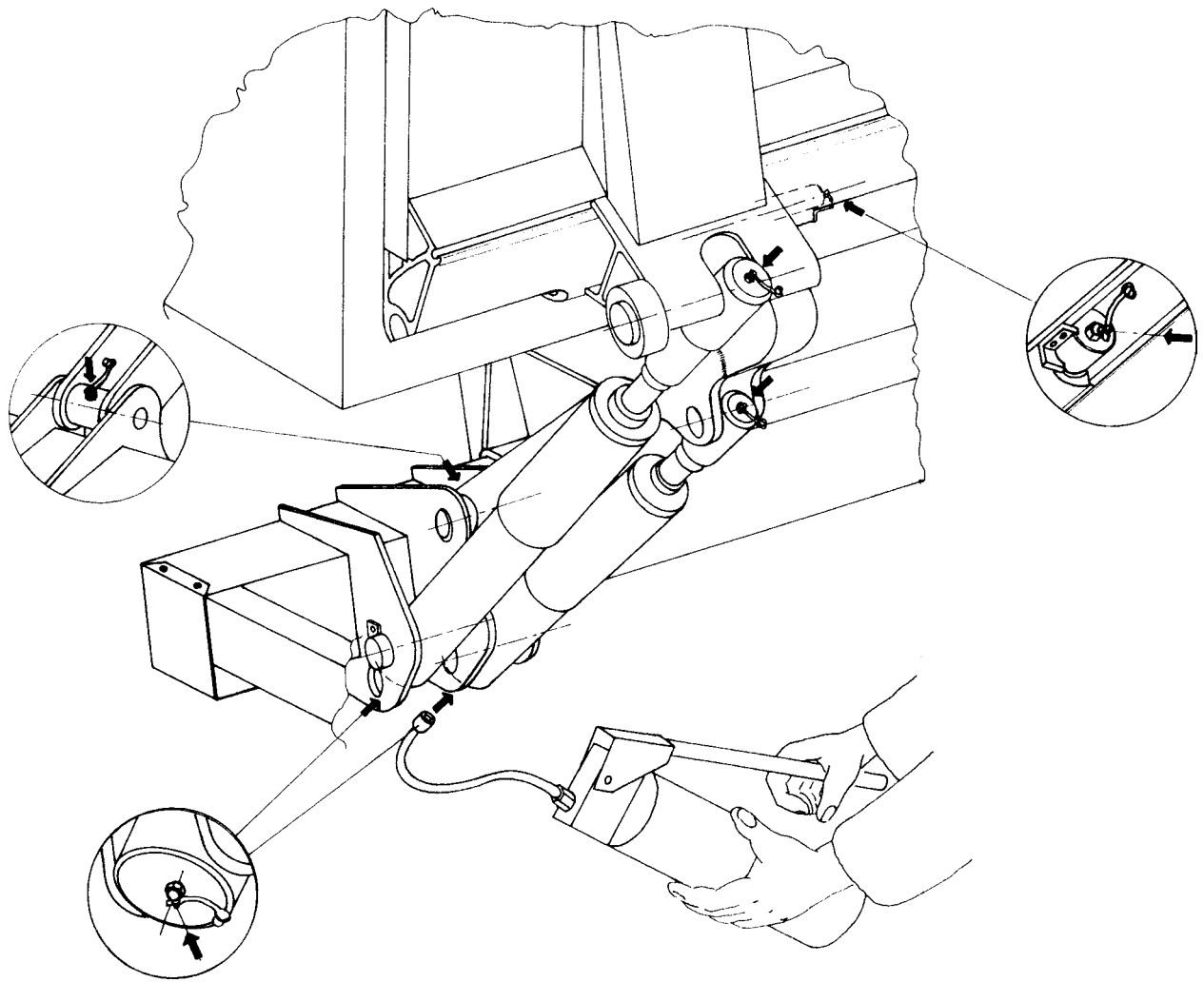
Note: Depending on frequency and usage the hydraulic hoses has to be changed after approx. three years.

Only clean hydraulic oil grants interference operation.

The hydraulic oil must be changed once a year. The power pack requests oil thickness of 22cst (usage of 10cst oil by very low temperatur under minus 10°C).

GREASE SCHEME

After cleaning the truck with steam pressure, aggressive detergent and drying bearing and grease fittings has to be greased again.



SAFETY LOADING SYSTEM “SLS”

Our exclusive patented, Safety Loading System (SLS), provides protection from incorrect loading or overloading of tail lifts.

VERY IMPORTANT:

“SLS” will automatically interrupt the loading process, and the buzzer will sound, if a 20% overload allowance is exceeded. It will register, and count, the overloads as well as the highest overload. The overload count can be seen, in a window, on the “SLS” box. The platform can only be lowered, **not raised**, when this happens. The loading process can only be continued after the load has been corrected.

If the “SLS” seal, on the counter box, has been broken, or if changes have been made to the electrical wiring, on the Safety Loading System, the warranty is void.



A H T WARRANTY CERTIFICATE

AHT warrants to the original purchaser, for a period of TWO YEARS all manufactured parts and ONE YEAR for supplier parts, from the date of installation, any new AHT product , including accessories and/or spare parts. These items are warranted against defects in material and/or workmanship. AHT will, at its own descretion, either repair or replace any defective parts with equivalent parts, subject to the conditions listed below.

Type: _____ Serial #: _____ Year of Mfg: _____
Customers Name: _____ Date of Installation: _____

1. Replacement or repair of parts will be provided from the factory, subject to any applicable Federal, State or Local taxes. Labor charges are not covered unless specifically authorized by AHT, prior to the actual repair and subject to our published flat rate schedule.
2. Defective parts must be reported to AHT within 30 days of discovery and must be submitted on an official warranty claim form, or the warranty is void.
3. Warranty is valid only if the Warranty Registration Form is returned, within 15 days of installation, to AHT.
4. Warranty shall not apply if equipment is operated at capacities in excess of factory recommendations.
5. Warranty does not apply to defects caused by accident, misuse, alterations of design, improper installation, poor maintenance practices, or any other cause beyond the control of AHT.
6. Warranty shall not apply to any cargo loss, loss of use, or any other incidental or consequential damages arising out of the use of this product, including travel time.
7. Warranty as provided herein shall be the purchaser's exclusive and limited remedy, and AHT shall not be liable for consequential or other damages.

IT IS EXPRESSLY UNDERSTOOD AND AGREED THAT THERE ARE NO WARRANTIES MADE BY THE MANUFACTURER OR ITS AGENTS, REPRESENTATIVES OR DEALERS, EITHER EXPRESSED, IMPLIED OR IMPLIED BY LAW, EXCEPT THOSE EXPRESSLY STATED HEREIN ABOVE IN THIS STANDARD LIMITED WARRANTY AGAINST DEFECTS IN MATERIAL AND WORKMANSHIP, AND THE MANUFACTURER AND ITS AGENTS, REPRESENTATIVES AND DEALERS SPECIFICALLY DISCLAIM ANY IMPLIED WARRANTY OF MERCHANTABILITY OR FITNESS FOR ANY PARTICULAR PURPOSE.

Customer

AHT Representative



CONFORMITY CERTIFICATE for TUV

For machinery in accordance with EG-Directive 89/392/EWG

Manufacturer: AHT-Aluhebetchnik Ges.m.b.H.
Bahnstraße 34
A-2474 Gattendorf

Product: Electro-Hydraulic Tailgate Loader

Design: Hydraulic Tailgate Loader Steel/Steel - Steel/Aluminum

Type: LA-700 LA-1200 LA-1700 LA-2200 LA-3300 LA-5000 LA-6600
max. Capacity (lb): 700 1200 1700 2200 3300 5000 6600

max. Hydraulic Pressure (Bar): 220

Description: Steel tailgate loader for mounting on wheeled vehicles.

Serial numbers:

The above machinery meets the following laws:

- Machinery Safety Law: MSV: BGBl.306/1994
- EG-Machinery Directive: 89/392/EWG and 91/368/EWG
- EN 292
- ÖNORM M 9614

Items tested: Check of technical files
Check of static calculation
Practical tests of operation and loading
Check of operators manual and installation manual

Testing place:: **AHT-Aluhebetchnik Ges.m.b.H.**
A-2474 Gattendorf, Bahnstraße 34

Result: The above mentioned product has met all requirements and this certificate is issued, based on the test specimen and the technical documentation subjected to the test.

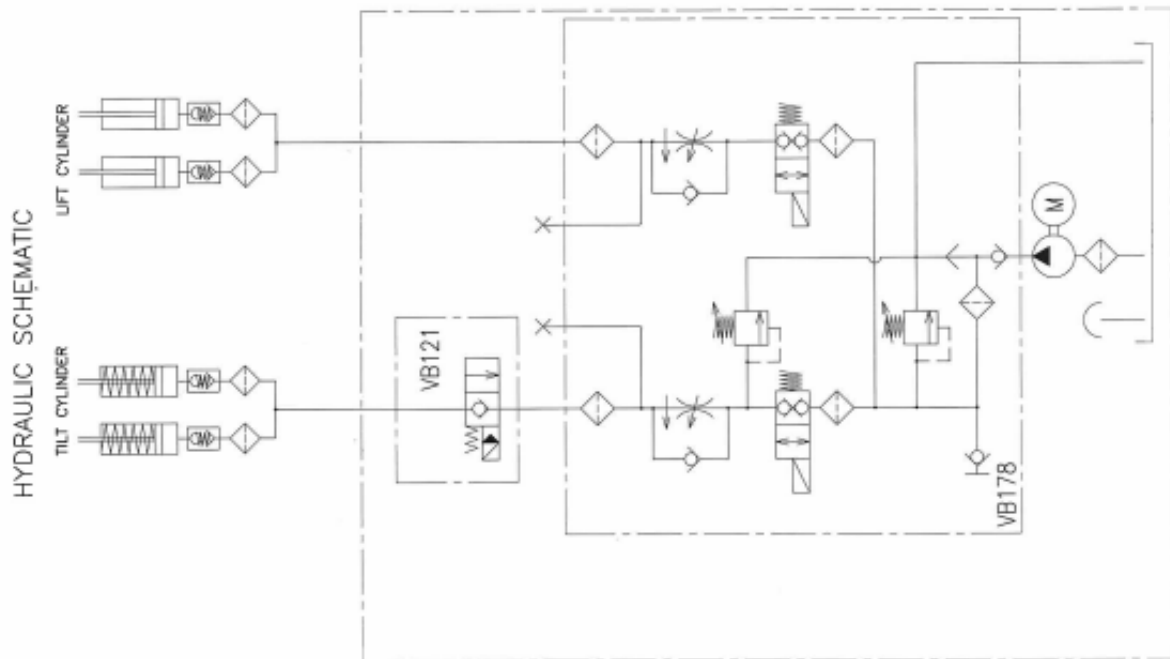
Company: _____

Signature: _____

Place/Date: _____

Name/Title: _____

HYDRAULIC SCHEMATIC with mechanical hose burst valve



ELECTRIC SCHEMATIC with mechanical hose burst valve

